

Little Folks

- FURNITURE -



Pine Single Bed

Code: SBD016

PLEASE READ CAREFULLY & KEEP FOR FUTURE REFERENCE

Thank you for buying a **Little Folks** piece of furniture

Treated properly it should be a faithful servant for years - and we hope you get the same amount of pleasure from it. Before you do

- please take a few minutes to read these instructions
- we suggest you carefully unpack everything, lay it out on a clean, flat floor and identify everything on the parts list in these instructions. Do not throw away any packaging until you are sure you have all the parts.

If you have any problems assembling the product please call our customer services on 01985 300588 and we will try and help. If for any reason you wish to return the product, you must disassemble the product and pack in the original packaging.

Taking care of your product

Your furniture should require no more than a regular dust off with a soft cloth. If the furniture is not painted then a superior wood polish can be used - but never use polishes containing silicone.

If necessary it can be cleaned with a damp cloth with a mild detergent solution - and then dried with a lint-free cloth. Never clean with abrasives or chemical cleaners.

Direct sunlight or heat from a radiator can stain, discolour warp or crack furniture.

We know furniture can be heavy but try not to drag furniture across the floor as this can damage it.

PRODUCT SAFETY

The recommended size of the mattress is 190cm x 91cm (6`3" x 3`0)

Periodically check all fittings to ensure that none have come loose.

Keep away from direct sources of heat, such as electric, gas or coal fires.

Do not allow children to Climb on the furniture.

Using this furniture other than for its intended purpose could cause damage to the structure or serious injury to your child.

If you can manage it, please try to persuade your children not to bounce on the bed.

Always follow the manufacture`s instructions.

Warning: The child`s bed should not be placed too close to other furniture or windows, blind cords, curtain pulls or other strings or cords, and should be placed either tight to any wall or have a gap of 300mm between the wall and the side of the bed.

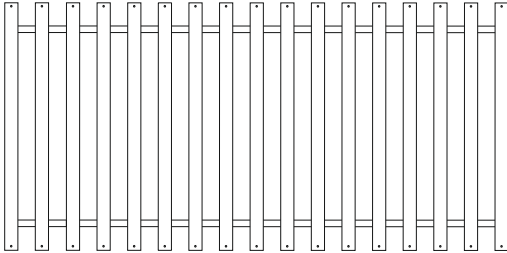
WARNING: Do not use the bed if any structural part is broken or missing; Please ensure that good ventilation is maintained within the room in order to keep humidity low and to prevent mould in and around the bed.

If you have any problems please do contact us for help on email customerservices@littlefolksfurniture.co.uk or phone our CUSTOMER SERVICES 01985 300588

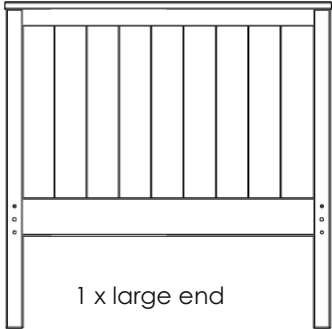
Parts



2 x mattress rails



1 x mattress base



1 x large end



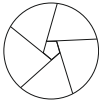
1 x low footboard

Fittings

4 x Leg Bolts



4 x Circular Cams



8 x small Dowels



30 x Screws 3cm

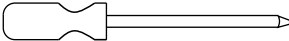


1 x Allen Key

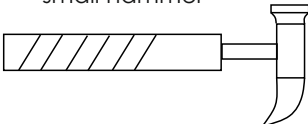


Tools Req

Screwdriver



small hammer



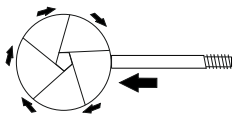
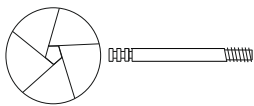
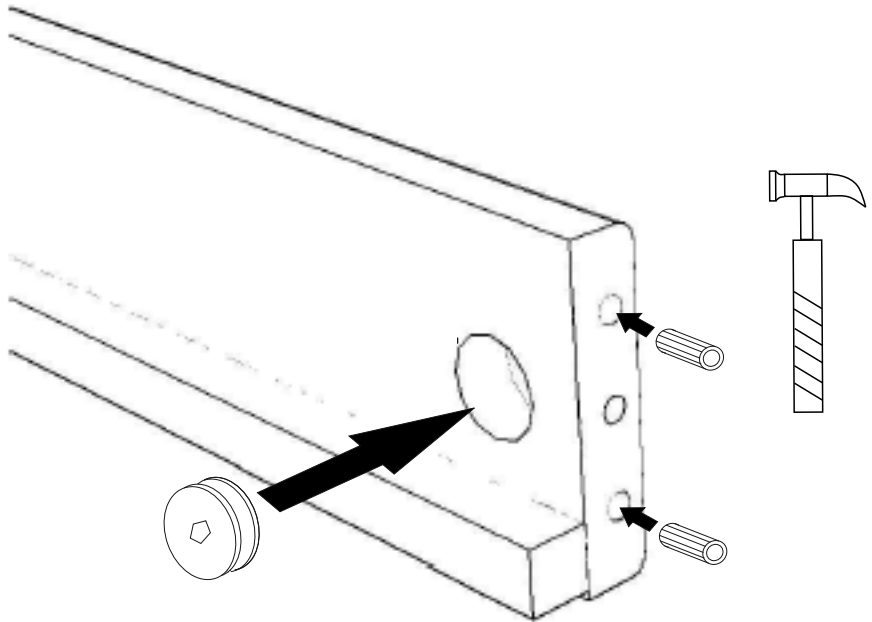
Preparing the side rails

8 x small dowels

Insert two wooden dowels into the two outer holes on each end of the side rails. There should be around 1cm of each dowel projecting when fitted.

Note: understanding the cam fittings (see guidance below before inserting the cams).

Now insert the circular cam into the large hole seen on the inside of the side rail at each end.



Understanding how the circular cam engages and tightens onto the leg bolt.

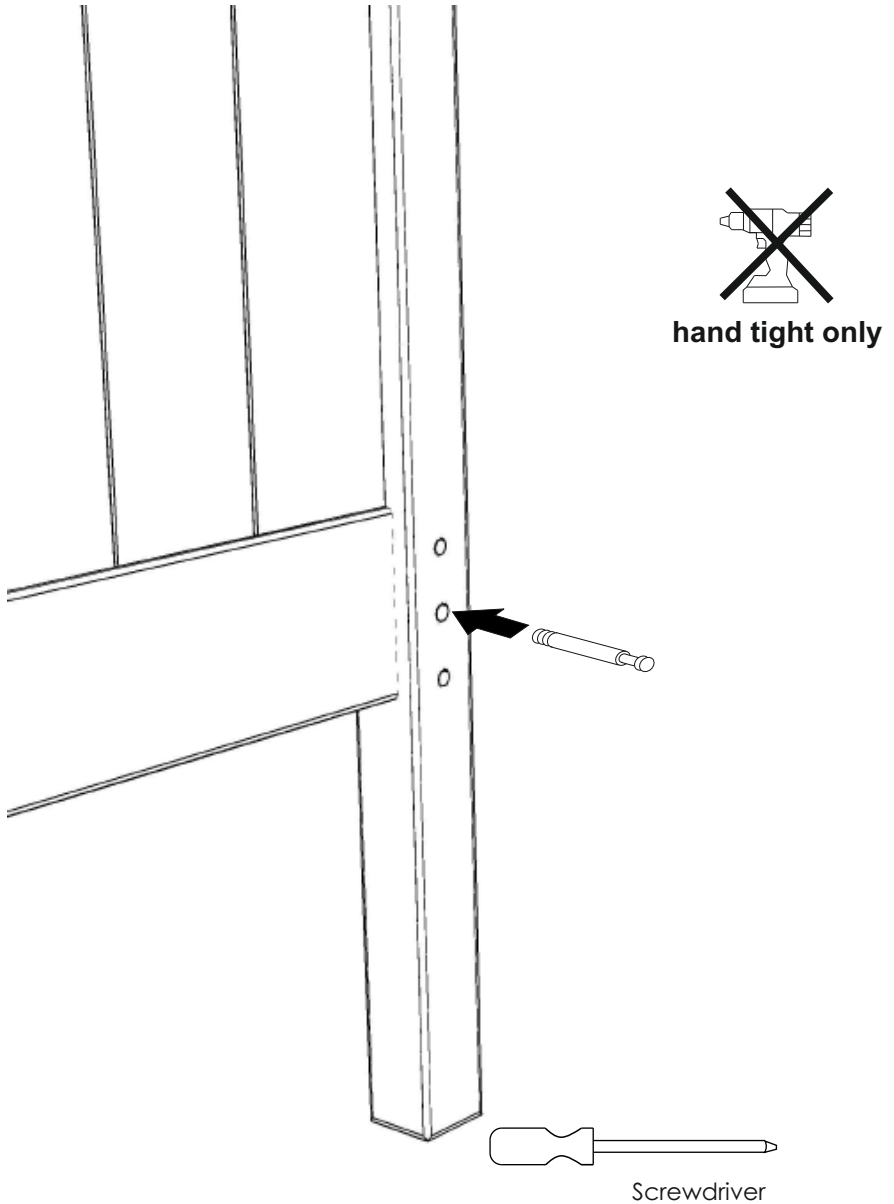
Rotating the cam clockwise draws the leg bolt into the cam

This will help you understand the assembly of the side rails.

Preparing the bed ends

4 x leg Bolts

On each bed leg, large end and small end, you will find three holes. The centre hole will be fitted with metal insert which contains an internal thread. Simply rotate one leg bolt into each of the four metal inserts, tighten with a screwdriver.

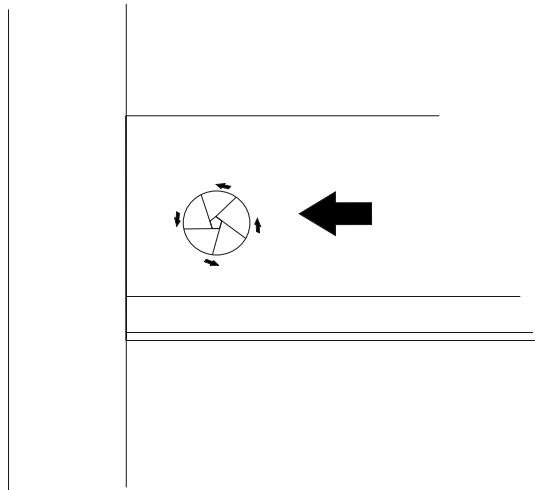
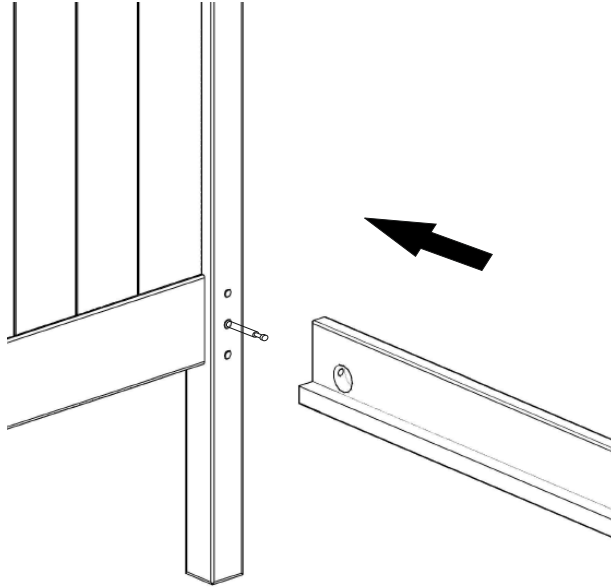


Making the bed frame (Two people)

1 x Allen key

Align one side rail end (mattress support timber on inside of bed), using the leg bolt as a reference. Slowly push the side rail towards the bed leg until the two dowels engage into the bed leg holes. Once the bed leg bolt touches the circular cam you will have to rotate the cam for the fitting to pull the frame together.

Repeat on all four corners of the bed frame.



Fit the mattress base (TWO PEOPLE) mattress base

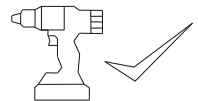
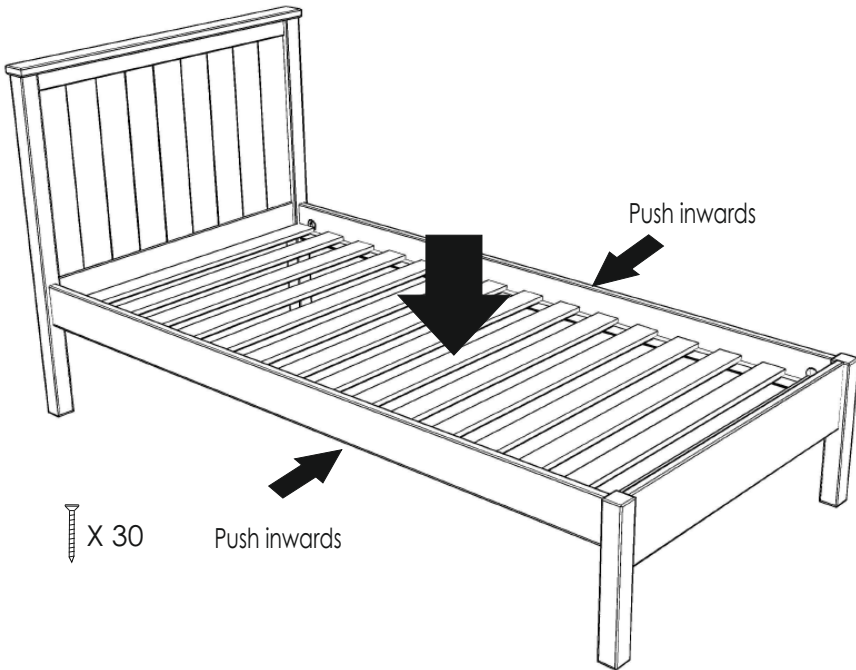
30 x wood screws 3cm

Note: Please use TWO people to prevent scratching your bed.

Spread the mattress base out to full length on the floor, gently lift the bed base up and over the bed frame, lowering it down inside the bed frame, resting upon the mattress rail internal supports.

Screw all the bed laths down making sure that the end bed laths are tightly fitted up against the bed ends.

Note; if you are using a battery drill / driver we suggest that you use a longer driver bit or an extension piece as this will help distance the driver chuck away from the product, stopping the chuck rubbing against the paintwork.



Some "light" inward pressure on the mattress rails
before screwing down the mattress base

This helps keep the bed parallel

PRODUCT SAFETY

Additional information

Periodically check that all assembly fixings are tightened properly, care should be taken to ensure that no fittings are loose.

Always follow the manufacture`s instructions.

Please ensure that good ventilation is maintained within the room in order to keep humidity low and to prevent mould in and around the bed;

WARNING Do not place this child`s bed near heat sources, windows and other furniture.

WARNING Do not use this child`s bed if any part is broken, torn or missing.

WARNING Hole covers Not suitable for children under 36 months due to choking hazard.

The bed can be dismantled for storage or transportation.

Children are likely to play, bounce, jump and climb on beds, therefore the child`s bed should not be placed too close to other furniture or windows, blind cords, curtain pulls or other strings or cords and should be placed either tight to any wall or have a gap of 300mm between the wall and the side of the bed.

Additional care/assembly instructions should be obtained from Little Falls Furniture



Please take a few minutes to look over the bed to ensure that the fittings are securely fastened and the product is stable.

Now carefully lower the mattress upon the bed base making sure it is the correct size for the bed