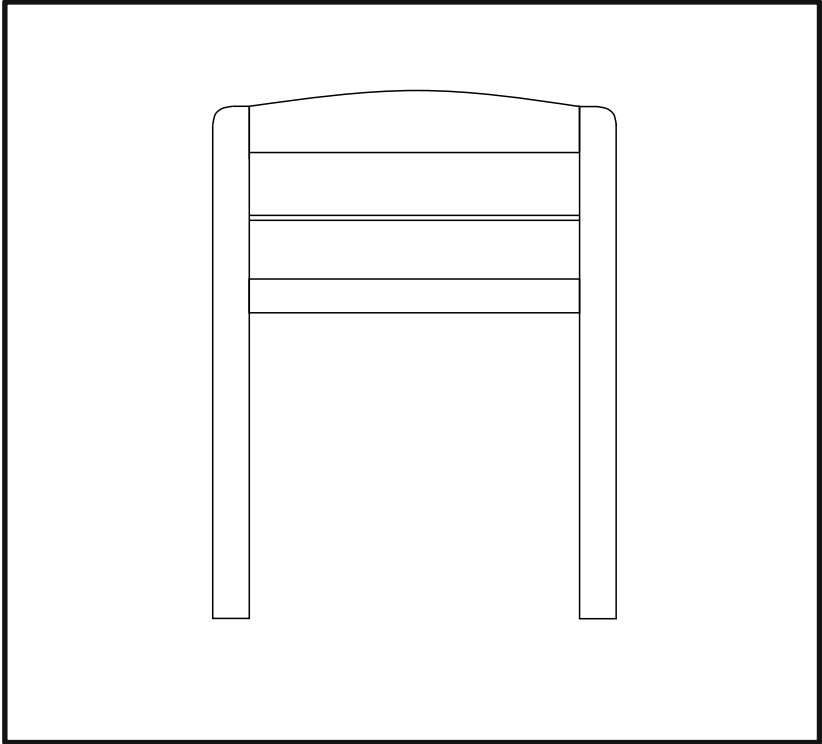


Little Folks
- FURNITURE -



Mid Sleeper Bed

Code: MSP001

PLEASE READ CAREFULLY & KEEP FOR FUTURE REFERENCE

Thank you for buying a **Little Folks** piece of furniture

Treated properly it should be a faithful servant for years - and we hope you get the same amount of pleasure from it. Before you do

- please take a few minutes to read these instructions
- we suggest you carefully unpack everything, lay it out on a clean, flat floor and identify everything on the parts list in these instructions. Do not throw away any packaging until you are sure you have all the parts.

If you have any problems assembling the product please call our customer services on 01985 300588 and we will try and help. If for any reason you wish to return the product, you must disassemble the product and pack in the original packaging.

Taking care of your product

Your furniture should require no more than a regular dust off with a soft cloth. If the furniture is not painted then a superior wood polish can be used - but never use polishes containing silicone.

If necessary it can be cleaned with a damp cloth with a mild detergent solution - and then dried with a lint-free cloth. Never clean with abrasives or chemical cleaners.

Direct sunlight or heat from a radiator can stain, discolour warp or crack furniture.

We know furniture can be heavy but try not to drag furniture across the floor as this can damage it.

PRODUCT SAFETY

This product is designed to conform to BSEN747:1 2012

The MAXIMUM thickness of the UPPER BUNK mattress is 14cm.

The recommended size of the mattress is 191cm x 90cm (6'3" x 3'0")

Periodically check that all assembly fixings are tightened properly, care should be taken to ensure that no fittings are loose.

The furniture must be set up on an even and stable surface.

Keep away from direct sources of heat, such as electric, gas or coal fires.

Do not allow children to climb on the furniture. Using this furniture other than for its intended purpose could cause damage to the structure or serious injury to your child.

The Bunk should not be used if any structural part is broken or missing.

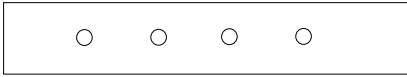
The upper Bunk is not suitable for children under six years old due to the risk of falls.

Do not attach items such as ropes, strings, cords, harnesses or belts etc to avoid the risk of strangulation.

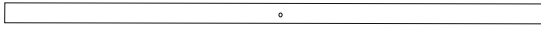
WARNING: Children can become trapped between the bed and the wall. To avoid the risk of serious injury the distance between the top safety barrier and the wall must not exceed 75mm or be more than 230mm.

If you have any problems please do contact us for help on e mail customerservices@littlefolksfurniture.co.uk or phone our **CUSTOMER SERVICES 01985 300588**

Parts



front



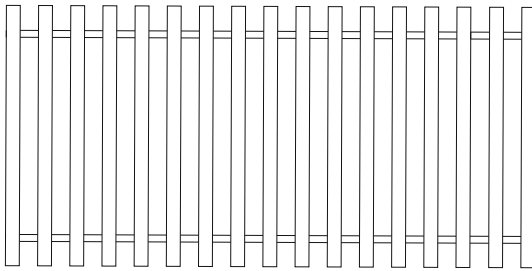
2 x rear rails



1 x rear mattress rail



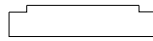
1 x front mattress rail



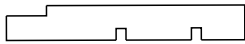
1x Mattress Base



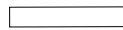
long ladder



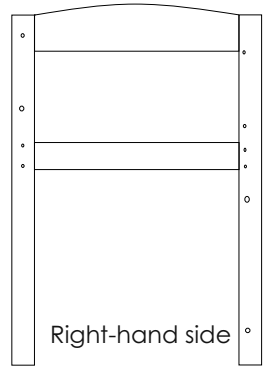
2 x tread



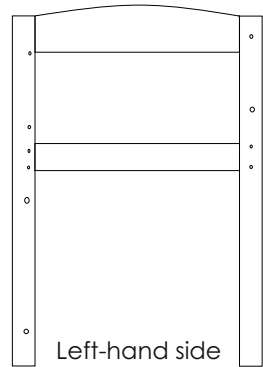
short ladder



piece



Right-hand side

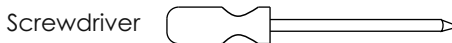


Left-hand side

Fittings



Tools Req



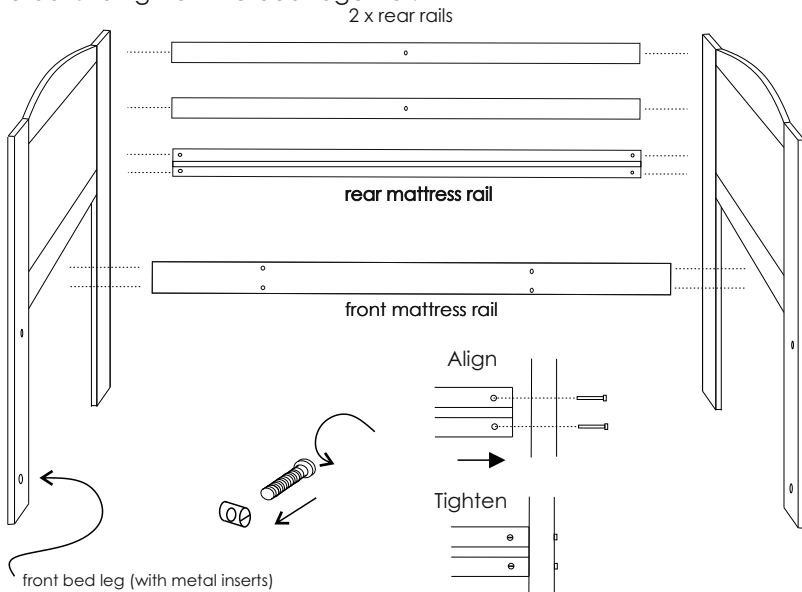
Making the bed frame. (Two People)

12 x Bolts 6.5cm, 12 x Barrel Nuts, an Allen key and a screwdriver.

Push one barrel nut into each mattress rail hole, aligning the slot head to the end hole.

Slide each bolt through the bed end holes and into the holes in the end of each rail.

Twist the bolts to tighten the bed together.



Making the ladder

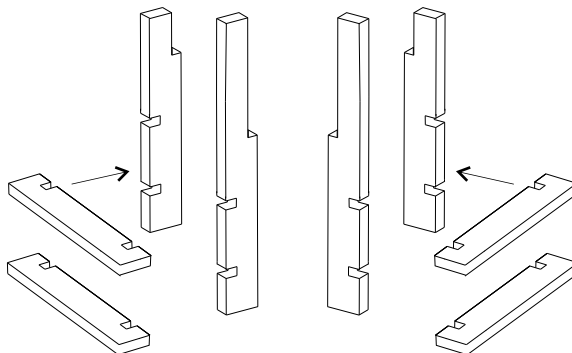
At this point you need to decide which side the ladder is fitted (left or right)

4 x Bolts 8cm and an Allen key

Firmly push together the ladder treads into the ladder strings, notch to notch.

Insert 4 x bolts into the holes positioned at the rear of each ladder string, 2 each side.

Twist the bolts to tighten the ladder together. (Some light movement can help with engagement)



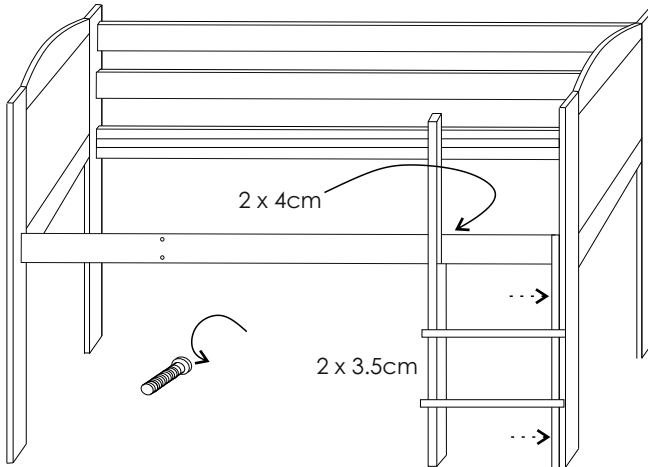
Fit the Ladder (Right-hand entrance illustrated)

2 x Bolts 3.5cm, 2 Bolts 4cm an Allen key

Connect the short ladder to the bed leg using the 2 x 3.5cm bolts.

Now connect the long ladder to the mattress rail using 2 x 4cm bolts, inserting from the inside of the bed frame.

Twist the bolts to tighten the ladder to the bed.

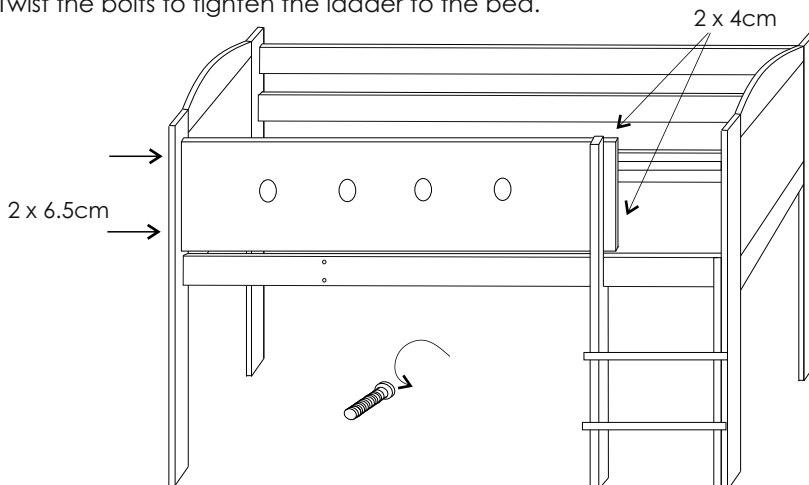


Fit the front safety panel

2 x Bolts 6.5cm, 2 x barrel nuts and 2 Bolts 4cm an Allen key and screwdriver.

Insert 2 x 6.5cm bolts into the bed leg opposite to the ladder, insert 2 x barrel nuts into the safety panel (holes on inside face). Now slide on the safety panel and connect the panel to the long ladder leg using the 4cm bolts and the 6.5cm bolts for the leg.

Twist the bolts to tighten the ladder to the bed.

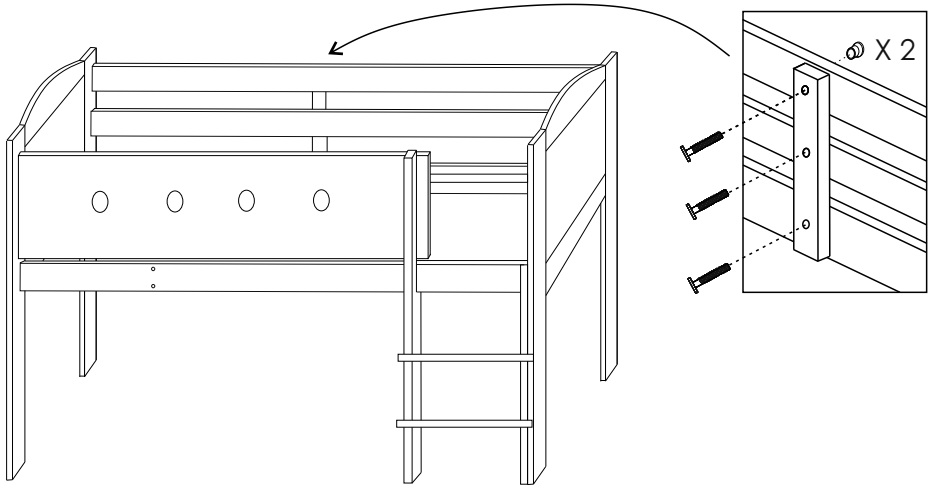


Fit the piece

3 x Bolts 4cm, 2 x Sleeve nuts and 2 Allen keys

Orientate the piece so that the holes line up with the rear rails. Now fit the 2 x sleeve nuts into the top two rear rails. Use the 3 x 4 cm bolts to fix the piece from the outside of the bed and into the 2 x sleeve nuts and lower mattress rail (metal fixing already located in the rail).

Tighten with the 2 Allen keys to lock that parts.

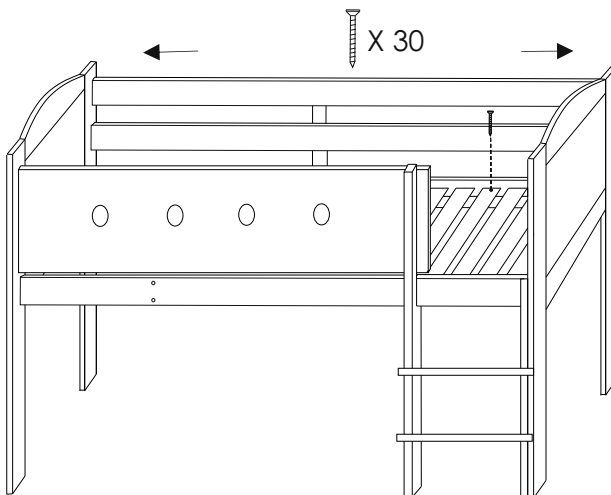


Fix the base

30 x Wood screws and a screwdriver

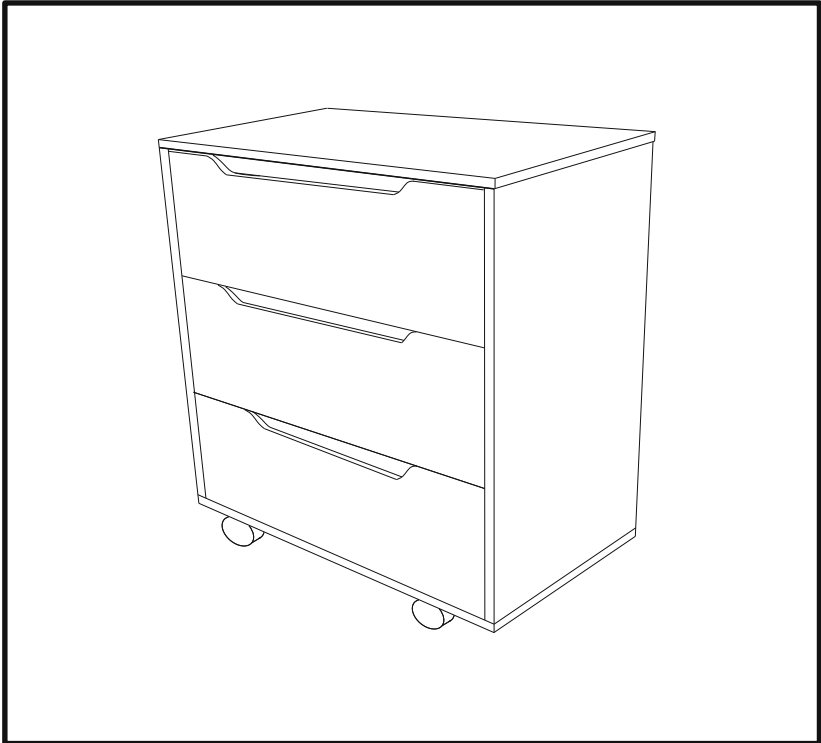
Lift the slatted base onto the bed, slide out and screw down.

Note: Both end slats should be tight up to each bed end.



Now place the bed into position and place your furniture beneath the bed.

Little Folks
- FURNITURE -



Chest of Drawers

Code: COD005

PLEASE READ CAREFULLY & KEEP FOR FUTURE REFERENCE

Thank you for buying a **Little Folks** piece of furniture

Treated properly it should be a faithful servant for years - and we hope you get the same amount of pleasure from it. Before you do

- please take a few minutes to read these instructions
- we suggest you carefully unpack everything, lay it out on a clean, flat floor and identify everything on the parts list in these instructions. Do not throw away any packaging until you are sure you have all the parts.

If you have any problems assembling the product please call our customer services on 01985 300588 and we will try and help. If for any reason you wish to return the product, you must disassemble the product and pack in the original packaging.

Taking care of your product

Your furniture should require no more than a regular dust off with a soft cloth. If the furniture is not painted then a superior wood polish can be used - but never use polishes containing silicone.

If necessary it can be cleaned with a damp cloth with a mild detergent solution - and then dried with a lint-free cloth. Never clean with abrasives or chemical cleaners.

Direct sunlight or heat from a radiator can stain, discolour, warp or crack furniture.

We know furniture can be heavy but try not to drag furniture across the floor as this can damage it.

PRODUCT SAFETY

Periodically check all fittings to ensure that none have come loose.

Keep away from direct sources of heat, such as electric, gas or wood fires.

Do not allow children to climb on the furniture. Larger items of furniture should be properly (and professionally) secured to the wall to prevent them toppling over. Little Folks Furniture do not supply wall fixings due to the wide ranging differences of wall construction.

Warning: This work should only be carried out by a competent person or a professional.

Using furniture other than for its intended purpose could cause damage to the structure or serious injury to your child.

The furniture should not be used if any structural part is broken or missing.

Do not place heavy or unsuitable sized items on the furniture due to risk of falling and injury.

Never open more than one drawer at a time.

Place heavier items in the lower drawers or shelves.

Lock castor wheels when positioned and un-lock the castor wheels to move.

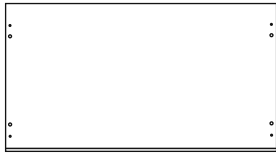
Do not roll across un-even flooring due to risk of damage and tipping.

Remove all items from the upper surface when re-positioning as to eliminate the possibility of falling hazards.

If used under an upper bed, align the furniture under the bed as not to generate projections which might be used as a foot-hold or ledge.

If you have any problems please do contact us for help on email customerservices@littlefolksfurniture.co.uk or phone our **CUSTOMER SERVICES 01985 300588**

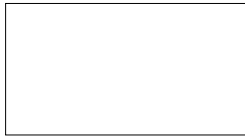
Parts list



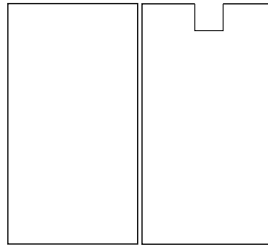
Base



Top



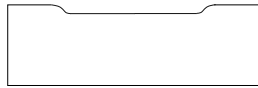
3 x Drawer Base



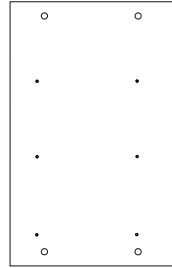
1 x folding back



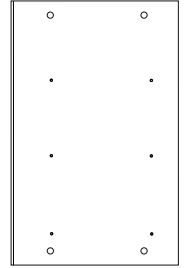
3 x Drawer Backs



3 x Drawer Fronts



Left Side



Right Side



3 x Drawer Sides (left)



3 x Drawer Sides (Right)

Fittings

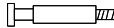
8 x Large Cams



6 x Small Cams



14 x Cam Pins



8 x Dowels



12 x Stabilizers



12 x Plastic nails



12 x Fat Screws



16 x Pan head screws



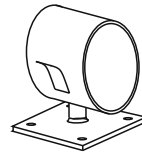
18 x Pins



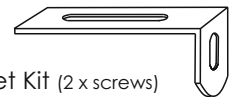
6 x Small bolts



6 x Drawer runners

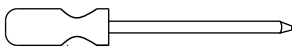


4 x Castor parts

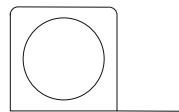


1 x Wall Bracket Kit (2 x screws)

Tools Req



Screwdriver

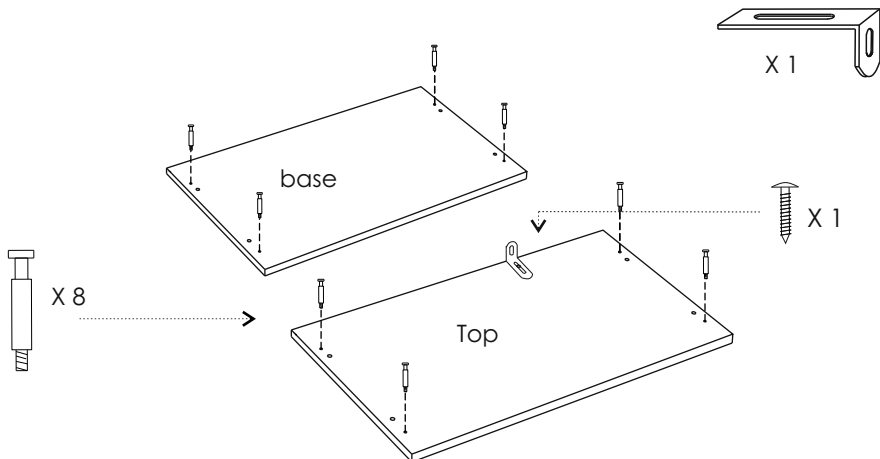


Tape

Fit top and base.

8 x Cam Pins, 1 wall connector and 1 x bracket screw + Screwdriver

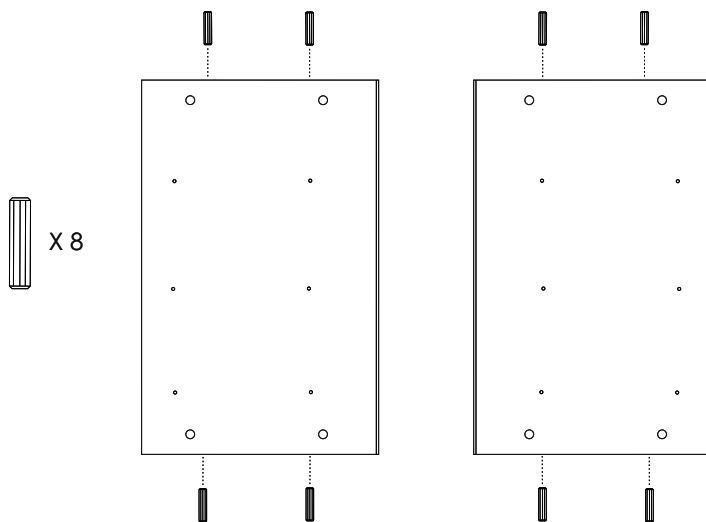
Fit the Cam Pins into the smaller holes as shown. Now fit the wall connector to the inside of the top, final positioning will be explained later.



Fixing the end dowels into the sides panels

8 x Dowels

Insert 8 dowels into the large holes at each end of the side panels.



Fit the drawer runners

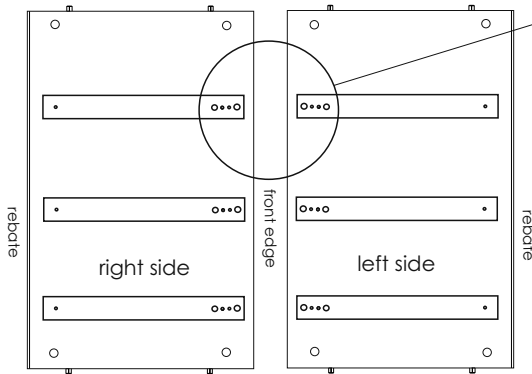
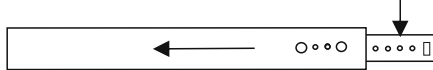
12 x Fat screws and 6 x metal drawer runners

Align the drawer runners so that the top slider (wider piece) with the bigger holes is orientated towards the front edge of the carcass side (see images and video). Now screw the smaller base plate (narrow piece) of the drawer runner to the carcass side using the holes provided, you will need to slide the top slider back and forward to access the base plate holes (second hole in from each end).

2nd hole on base plate



2nd hole on base plate



top slider with holes orientated at front edge of sides



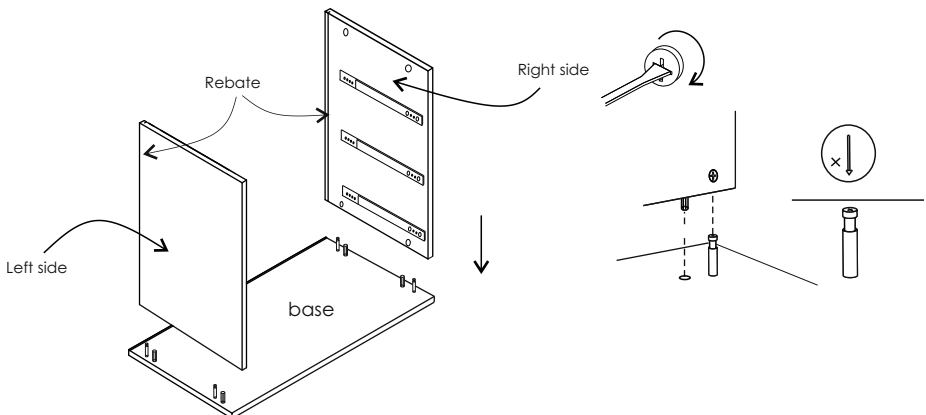
QR code for video

Connect the sides to the Base

8 x Large Cams (two people)

Insert the 8 large cams into the four large holes in each side, ensuring that the indicator is facing towards the intersecting cam pin hole.

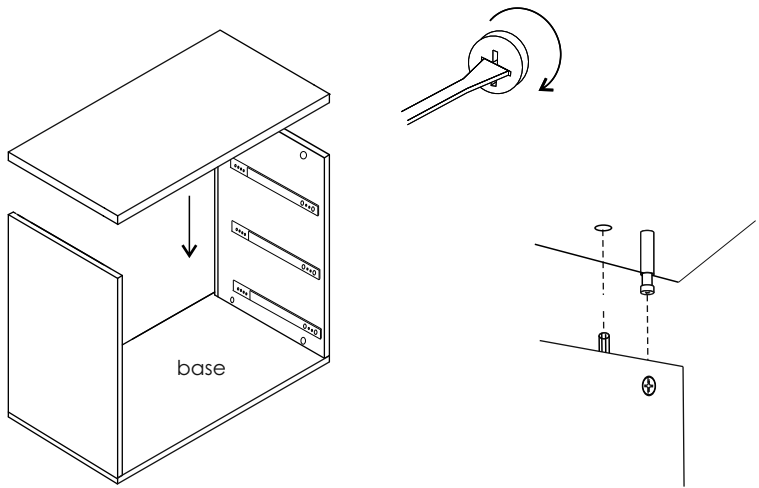
Place each side onto the base, aligning the cam pins and dowels into the matching holes. The panels are orientated with the rebate at the back of the unit. Once the pieces are together rotate the cams to tighten.



Fix the top

(two people)

Now lower the top down onto the carcass. Line up the cam pins and wooden dowels so that the all parts are connected. Rotate the cams to tighten the parts together.

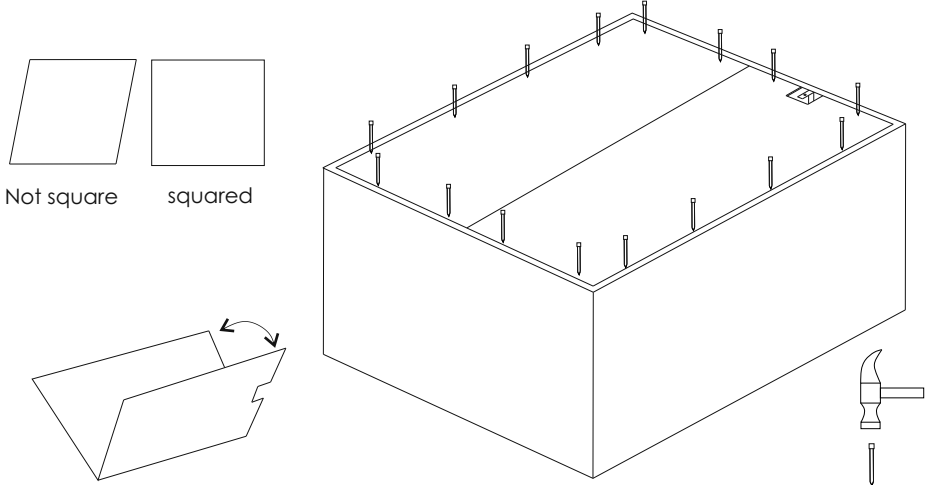


Fix the back panel

18 x pins

Lay the carcass to its front ensuring that it is protected.

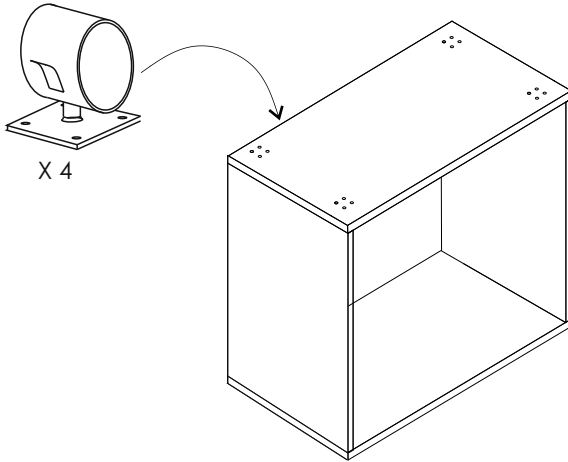
Un-fold the back panel and lay it within the rebate around the internal perimeter of the carcass. (some slight "squaring" of the carcass might be required) Note that the hole in the back should align with the wall strap previously fitted. Now, **VERY CAREFULLY**, pin the back to the carcass as shown.



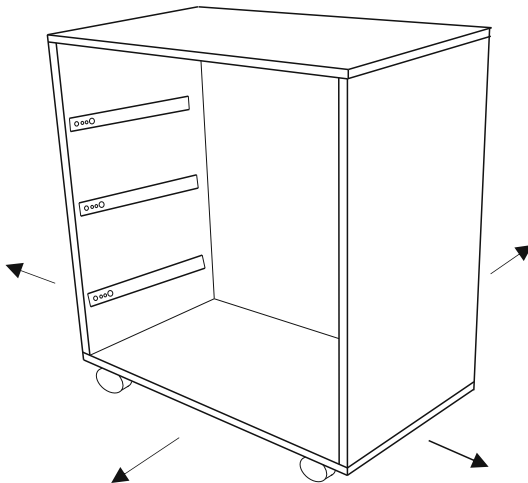
Castor fixing

4 x Castors parts and 16 pan head screws

Lay the carcass on its top (ensure that you have a protective layer between the floor and top). Align each castor base to match the set of four holes in each corner of the base panel, screw the castor base down using four screws (per plate).

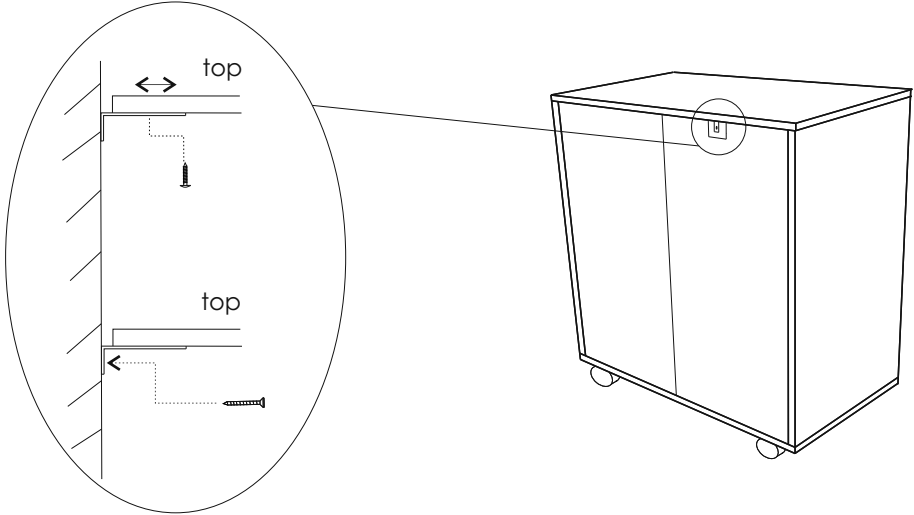


Upright the carcass and check movement.



Placing the chest of drawers **IMPORTANT**

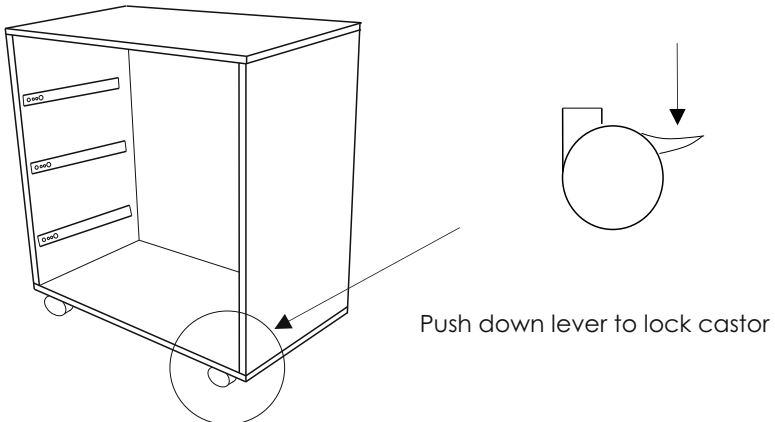
Free standing use - outside the confines of a furniture structure (bed, desk etc)
Orientate the chest with the back facing the wall. Extend the wall bracket to take up the difference between chest and wall surface, tighten the screw from the inside as to secure. Now mark the wall for the position of the wall fixing. Gently wheel the chest away from the wall to make a fixing that is suitable for the wall type you have. Re-position the chest and physically connect the chest to the wall.



Little Folks Furniture do not supply wall fixings due to the wide ranging differences of wall construction.

This work should only be carried out by a competent person or a professional.

Lock castors to prevent movement

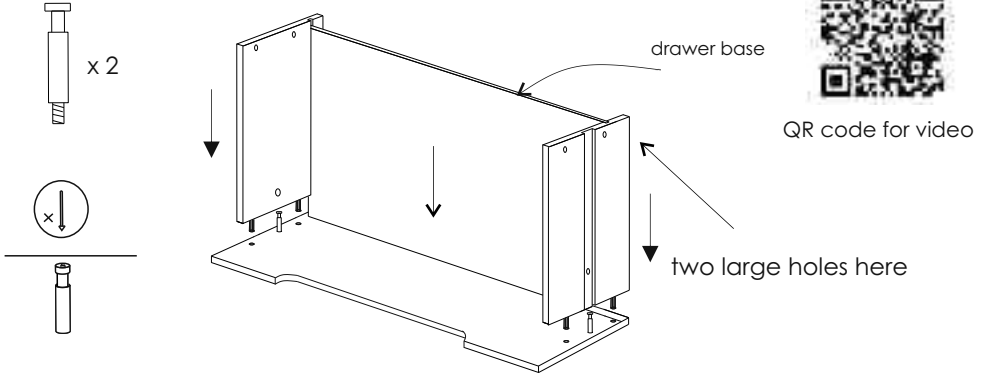


Make the drawers (X3)

6 x Small cams and 6 x cam pins

Fix 2 cam pins into each drawer front. Now fit the small cams, inserting 1 small cam into each drawer side ensuring that the indicator is facing towards the intersecting cam pin hole.(see image for orientation or video)

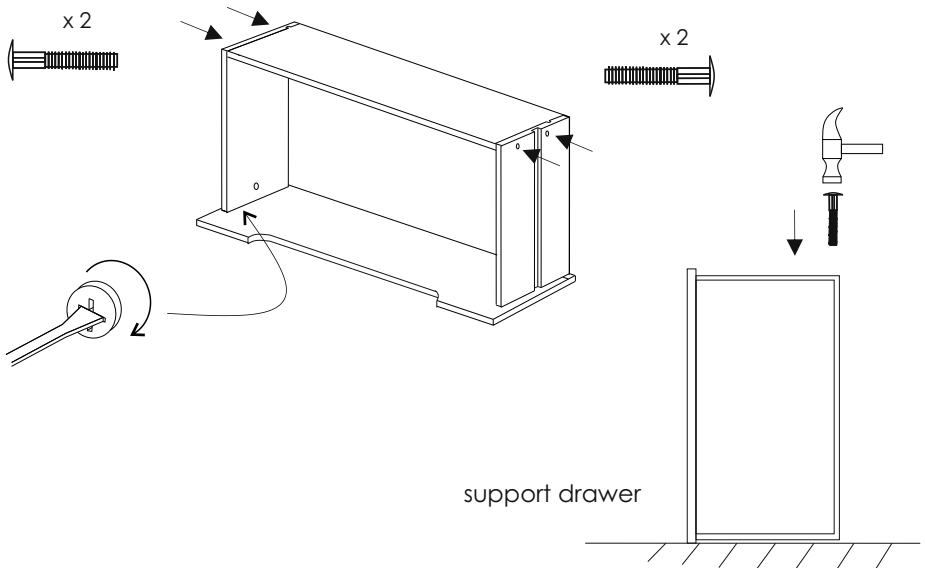
Gently slide the drawer sides over the cam pins and align the wooden dowels, once together rotate the cams to tighten. Now slide the drawer back into the drawer side grooves and the groove in the drawer front.



Make the drawers (x3)

12 x Plastic nails

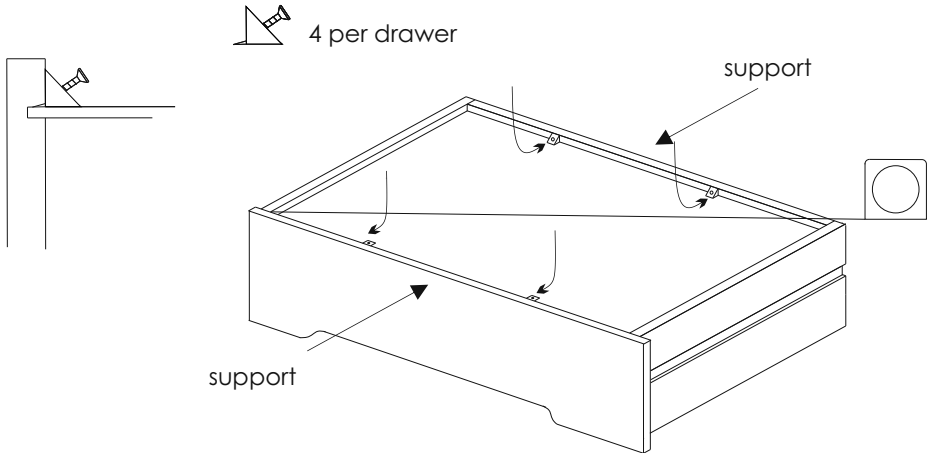
Orientate the drawer back with the base groove facing down. Now press the drawer sides inwards and gently tap the plastic nails through the drawer side holes and into the drawer back. Support the the drawer box when fitting the plastic nails.



Secure the drawer base

12 x stabilizers

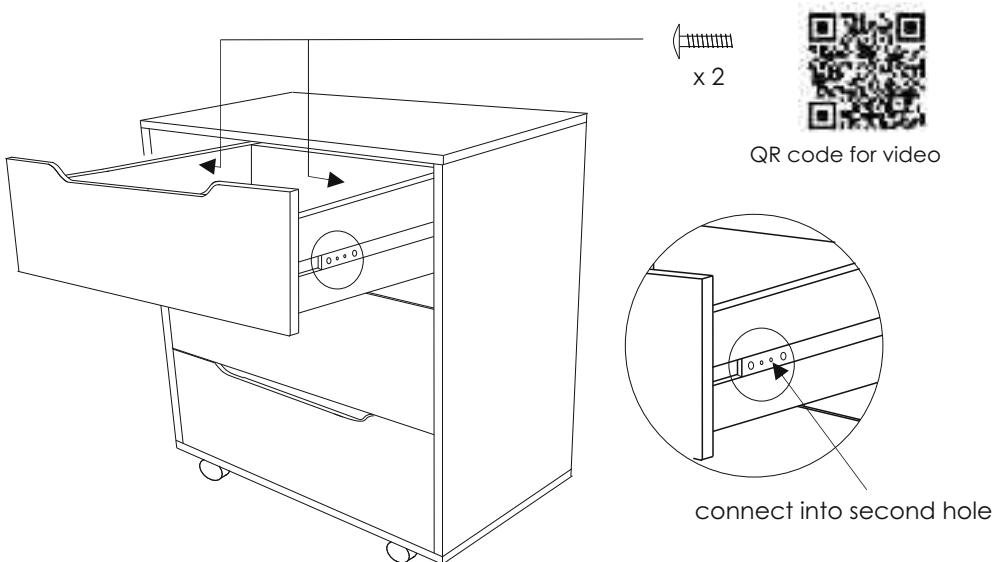
Align the stabilizers as shown, slipping the "tongue" in between the base and groove. Supporting the drawer structure, check that the drawer box is "square" by measuring corner to corner (both sizes need to be the same) now screw the stabilizers in place.



Fit the drawer boxes

6 x small bolts (two people)

Select a pair of drawer runners and extend the top sliders outwards (wider pieces). Now slide one drawer box onto these metal runners. Align the hole in the drawer box with the second hole in the drawer runner, inserting the small bolt from the inside of the drawer box. Rotate to tighten the parts together and repeat on each drawer box.



Final check

If used away from an furniture structure (e.g bed or desk), please ensure that the wall strap is connected to both the chest and a suitable wall structure.
If used under an upper furniture structure please check that the chest is neatly aligned and does not create ledges of foot holds for the upper bed.
Check that the castor wheels are "locked" in place and positioned on a level floor.
Check the function of each drawer box, closes and opens to a stop.
Do not attach items such as ropes, strings, cords, harnesses or belts etc to avoid the risk of strangulation.

WARNING: Children can become trapped between bed furniture and the wall. To avoid the risk of serious injury the distance between furniture and the wall shall not exceed 75mm nor shall be more than 230mm.

