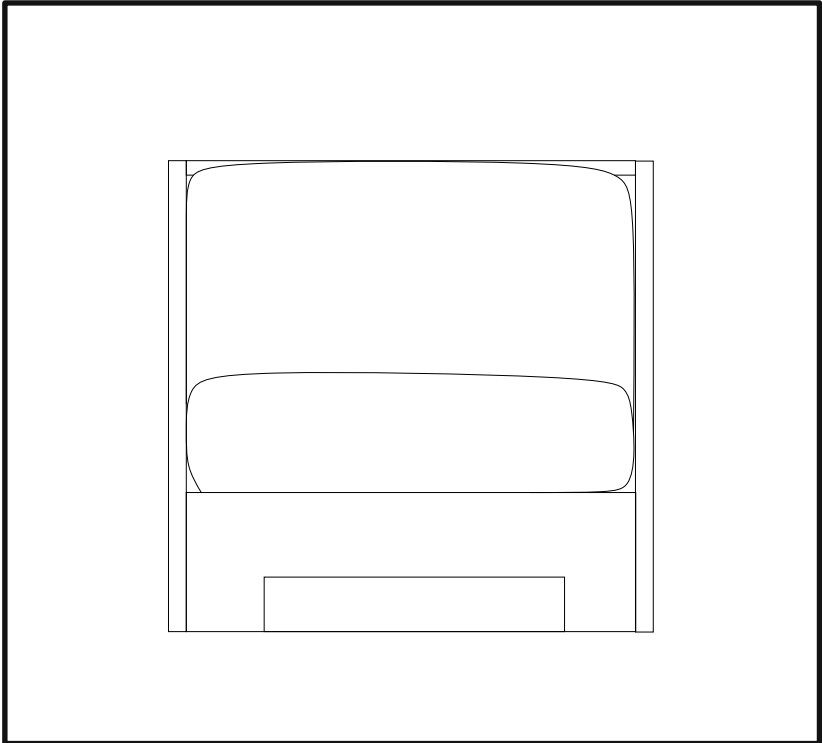


# Little Folks

- FURNITURE -



## Fargo Futon Bed

Code: FUT001

PLEASE READ CAREFULLY & KEEP FOR FUTURE REFERENCE

Thank you for buying a **Little Folks** piece of furniture

Treated properly it should be a faithful servant for years - and we hope you get the same amount of pleasure from it. Before you do

- please take a few minutes to read these instructions
- we suggest you carefully unpack everything, lay it out on a clean, flat floor and identify everything on the parts list in these instructions. Do not throw away any packaging until you are sure you have all the parts.

If you have any problems assembling the product please call our customer services on 01985 300588 and we will try and help. If for any reason you wish to return the product, you must disassemble the product and pack in the original packaging.

## Taking care of your product

Your furniture should require no more than a regular dust off with a soft cloth. If the furniture is not painted then a superior wood polish can be used - but never use polishes containing silicone. If necessary it can be cleaned with a damp cloth with a mild detergent solution - and then dried with a lint-free cloth. Never clean with abrasives or chemical cleaners.

Direct sunlight or heat from a radiator can stain, discolour warp or crack furniture.

We know furniture can be heavy but try not to drag furniture across the floor as this can damage it.

## PRODUCT SAFETY

The recommended size of the mattress is 183cm x 77cm (6' x 2'6")

Periodically check all fittings to ensure that none have come loose.

Keep away from direct sources of heat, such as electric, gas or coal fires.

Do not allow children to Climb on the furniture.

Using this furniture other than for its intended purpose could cause damage to the structure or serious injury to your child.

The Bed should not be used if any structural part is broken or missing.

If you can manage it, please try to persuade your children not to bounce on the bed.

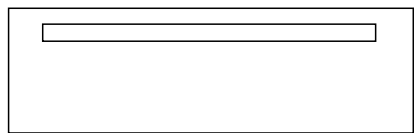
Warning: The child's bed should not be placed too close to other furniture or windows, blind cords, curtain pulls or other strings or cords, and should be placed either tight to any wall or have a gap of 300mm between the wall and the side of the bed.

If you have any problems please do contact us for help on e mail  
customerservices@littlefolksfurniture.co.uk or phone our

**CUSTOMER SERVICES**

**01985 300588**

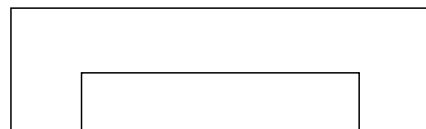
## Parts list



2 x chair sides



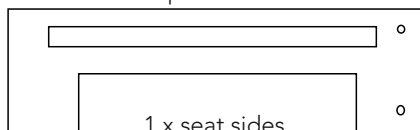
1 x chair back



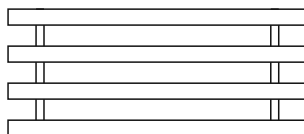
1 x seat front



1 x pivot rails



1 x seat sides



2 x long Mattress Bases (8 slats)



1 x short Mattress Bases (4 slats)

## Fittings

4 x Bolts 5cm



8 x Dowels



4 x Bolts 3.5cm



24 x Screws



4 x Barrel Nuts



4 x rings

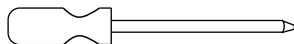


4 x sleeve nuts



## Tools Req

Screwdriver



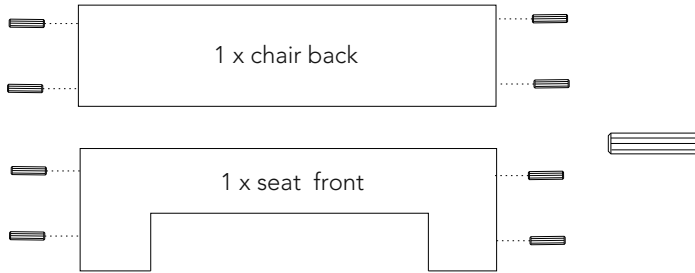
2 x Allen Key



## Fitting the parts

8 x dowels

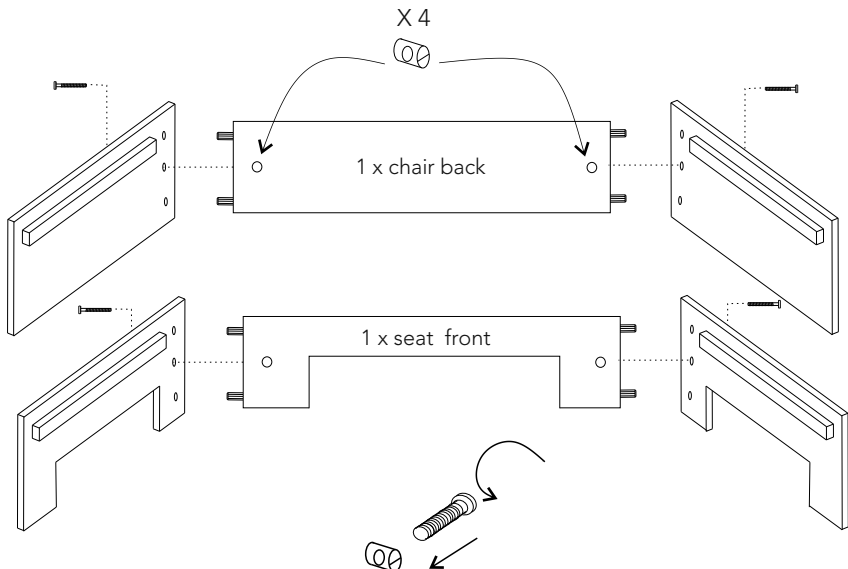
Insert 2 x dowels into the two large holes at each end of the two parts listed.



## Make the seat and chair

4 x 5cm bolts and 4 x barrel nuts

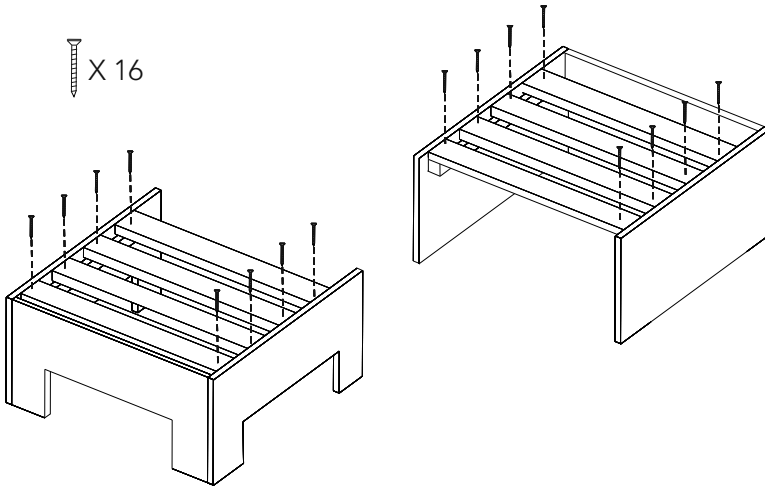
Orientate the parts as shown, align the dowels and insert 4 x barrel nuts into the holes on the seat front and chair back. Now insert 4 x bolts from the outside of the seat and chair sides into the barrel nuts and tighten using an allen key.



## Fix the bases

16 x Wood screws and a screwdriver

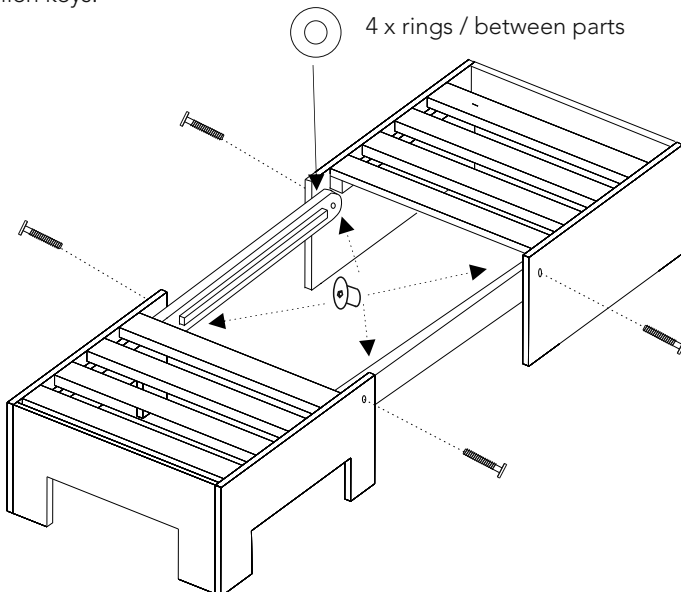
Lift the long mattress bases onto the seat and chair frames, align the holes with the pilot holes in the supports beneath and screw each slat down.



## Fix the pivot rails

4 x 3.5cm bolts, 4 x sleeve nuts, 4 rings and 2 x allen keys

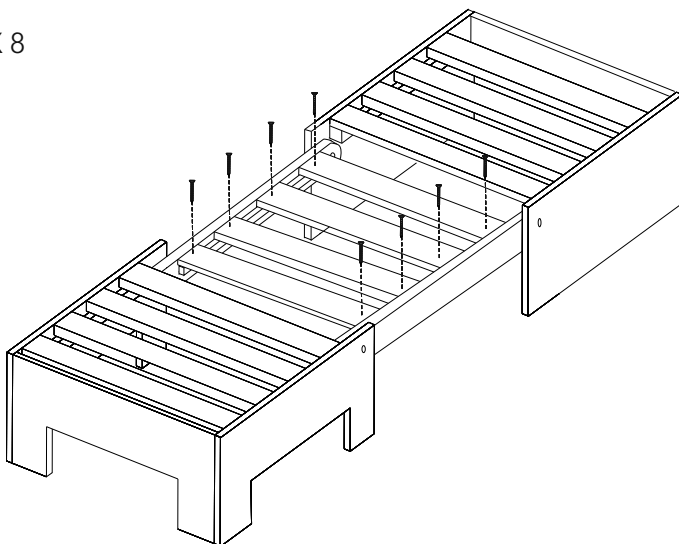
Orientate the pivot rails as seen. Slide bolt through the holes carefully placing a ring on the bolt then the pivot rail and finally a sleeve nut. Once all 4 fixings are engaged, tighten using the two allen keys.



## Fix the central base

8 x Wood screws and a screwdriver

Lift the short mattress base onto the central frame (pivot rails), align the holes with the pilot holes in the supports beneath and screw each slat down.



## Convert from bed to Chair

lift the chair back upwards, allow the rear to slide forward and then fit tight to the seat. Re-arrange the mattress to make a comfy chair.

